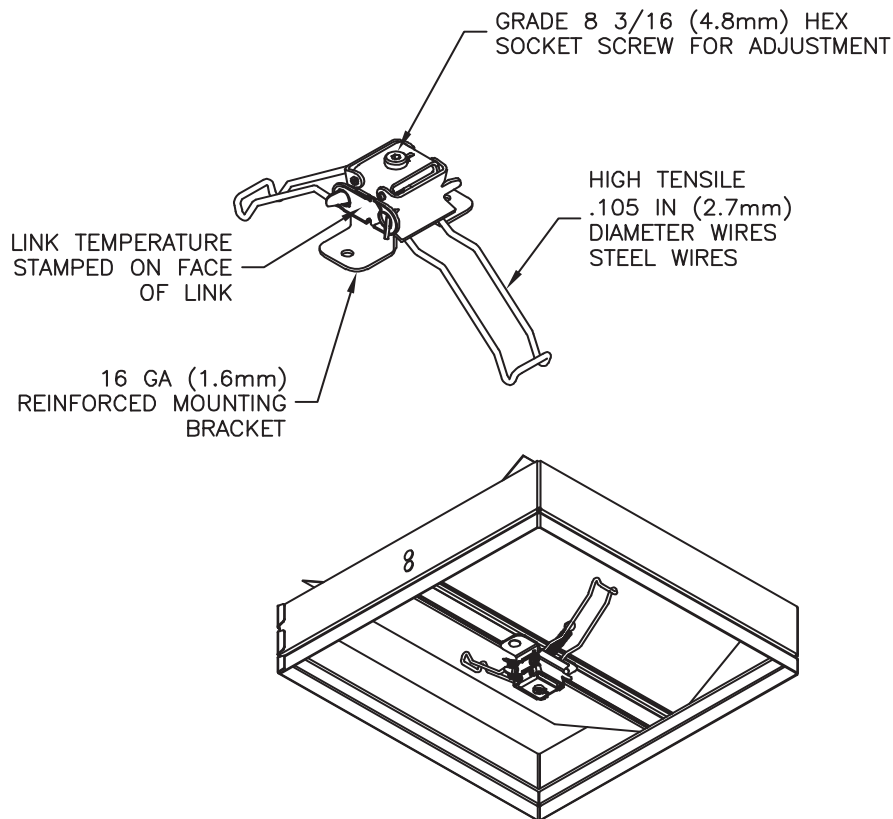
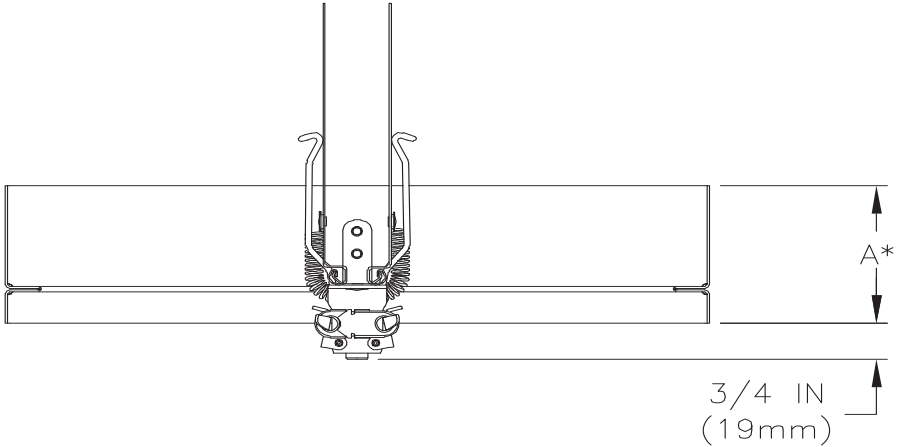


## Application

Greenheck's volume controller option allows adjustment of damper blades to balance airflow. This option is factory mounted and is available with 165°F or 212° F (74°C or 100°C) fusible links. The fusible link is easily replaceable in the field. The volume controller extends ¾ in. (19 mm) below the frame on CRD-1 and CRD-1LP models and ½ in. (13 mm) on CRD-2 when standard frame is selected. If the volume controller can not extend past the frame, select a bottom frame extension.

On the CRD-1WT, CRD-2WT, and CRD-1WJ the volume controller is contained within the frame.





\* This dimension is for standard frame only.  
CRD-1 standard frame is 2<sup>1</sup>/<sub>16</sub> in. (68mm).  
CRD-2 standard frame is 3<sup>7</sup>/<sub>16</sub> in. (87mm).

**CRD-2WT**

