

## Application

The WD-340 is designed to be bolted to the flanged outlet of Greenheck Model USF utility blowers. Maximum velocities not to exceed 2500 fpm (13 m/s).

## Ratings

### Pressure

2.0 in. wg (0.5 kPa) - differential pressure

### Velocity

2500 fpm (13 m/s)

### Temperature

180°F (82°C)

## Construction

	Standard
<b>Frame Material</b>	Galvanized steel
<b>Frame Thickness</b>	18 ga. (1.3mm)
<b>Blade Material</b>	Roll formed aluminum
<b>Blade Thickness</b>	0.032 in. (0.8mm)
<b>Blade Seals</b>	Vinyl
<b>Axle</b>	3/16 in. (4.8mm) dia. zinc plated steel pin on blade ends
<b>Axle Bearings</b>	Synthetic
<b>Linkage Material</b>	.064 (1.6mm) aluminum tie bar

## Size Limitations

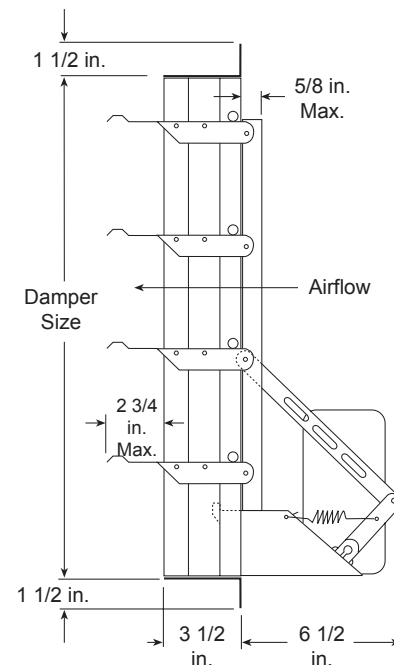
W x H	Minimum Size	Maximum Size
		Single Panel
<b>Inches</b>	6 x 8 7/8	31 x 74
<b>mm</b>	152 x 225	787 x 1880

## Options and Accessories

- Motor Packs (24 Vac, 115 Vac, 208/230 Vac, 440 Vac)
- End Switch Kit (Part #851038)



**Note:** W & H dimensions furnished approximately 1/8 in. (3mm) undersize. W is always parallel to the damper blades.



[MP-310 Motorpack Instructions](#)



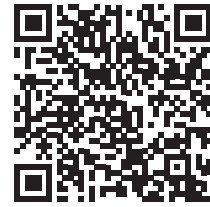
[Backdraft Catalog](#)



[Damper Selection Guide](#)



[Specifications](#)



[Warranty](#)

