

# Modular Jib Crane

## for Vektor-MD Laboratory Exhaust



*Simplified installation, ease of maintenance, and reliability are all provided by incorporating a Vektor Modular Jib Crane with your Vektor laboratory exhaust system.*

Greenheck's Vektor Modular Jib Crane is engineered to simplify motor maintenance. Quick-connect crane supports are easily mounted directly to factory-installed plenum pedestals eliminating cumbersome bolting. Once in place, the jib crane can be used to remove the windbands and motors from a Vektor-MD system. A disassembled jib crane can be stored indoors requiring minimal space.



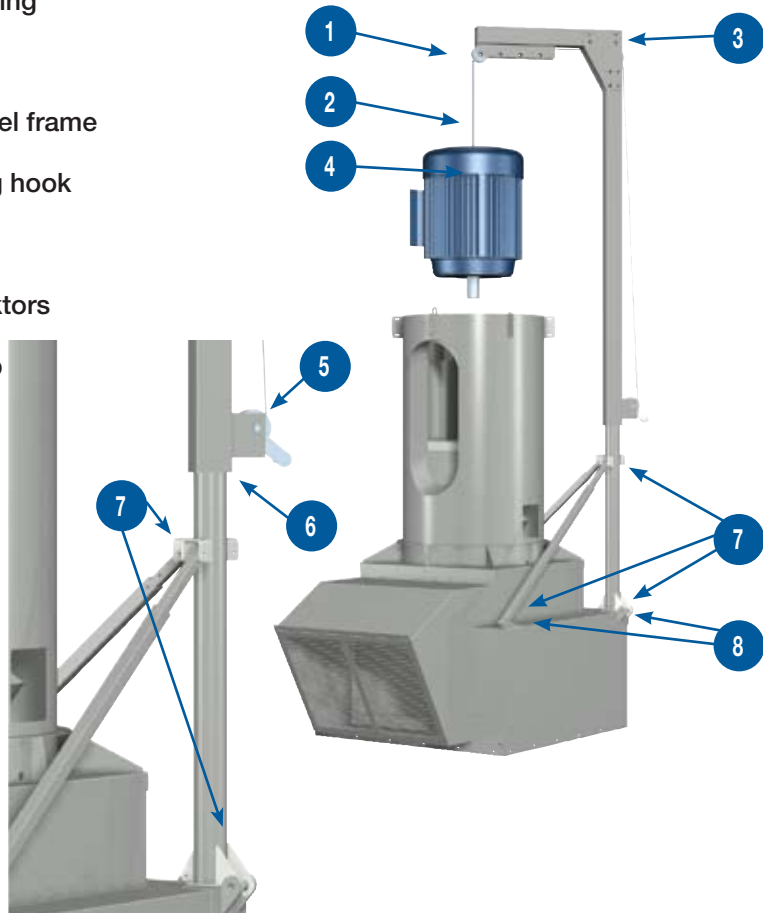
### Greenheck Advantages:

- Simplified design minimizes installation time and effort
- Easy operation simplifies maintenance
- Unique modular design minimizes storage space
- Jib crane removal capabilities allow the winch to remain out of the elements
- Fabricated of corrosion-resistant coated steel and stainless steel cable
- A single Vektor Modular Jib Crane can be used to service multiple Vektor systems
- Modular jib crane and entire Vektor assembly manufactured by Greenheck:  
Schofield, Wisconsin USA



All Vektor Modular Jib Crane subassemblies are fabricated of fully-welded carbon steel. These components are also coated with a durable, mechanical and chemical-resistant finish. The jib crane support is easily connected and removed using quick-release connectors on factory-installed plenum mounted pedestals. A swivel joint on the upright support allows the stainless steel cable and hook to access multiple Vektors from one mounting location.

- 1 Solid pulley to ensure smooth, easy hoisting
- 2 Braided stainless steel lifting cable
- 3 Gusseted, corrosion-resistant carbon steel frame
- 4 Hardened, corrosion-resistant steel lifting hook
- 5 Locking hand crank for quick operation
- 6 Swivel joint allows access to multiple Vektors
- 7 Connector joints allow quick, easy set-up and removal to minimize maintenance time
- 8 Factory-mounted pedestals guarantee safe installation and operation



## Vektor Family of Lab Exhaust Systems



As a result of our commitment to continuous improvement, Greenheck reserves the right to change specifications without notice.