

Bulletin: 14-18

TO: All Greenheck Representatives
FROM: Andy Jackson, Product Manager-Louvers
DATE: March 9, 2018
SUBJECT: Louver Actuator Location Change



Starting in CAPS® 4.26 (April 2018 release), we will be changing the current default **electric** actuator location from bottom left to top left on adjustable blade louvers and combination louver/damper products. Currently the only option for actuator location for these louver products is lower left. This means, when viewed from the rear, actuators are located in the bottom left hand corner of the louvers. The only exception is on ECD style combination louver/damper products where the actuator position is lower centered.

After the CAPS 4.26 release, you will still be able to select lower left location; however, the new default location will be upper left. Any job files created prior to the CAPS 4.26 release will maintain the current lower left location upon the release of CAPS 4.26 and any subsequent CAPS releases. You may elect to change your selection to the new default.

This change is being made in effort to reduce louver special design request (SDR) processing, which ultimately reduces engineering and production lead times.

Figure 1 depicts the new default upper left actuator location as would be typical for EAD, EAH, EAC, EACN, EACA or FAD models.

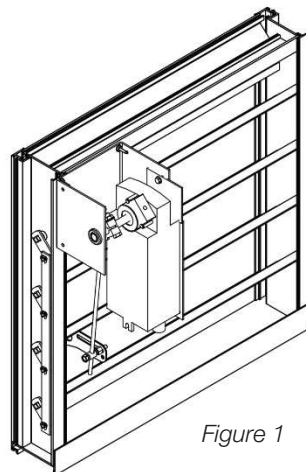


Figure 1

Figure 2 depicts the new default upper left actuator location as would be typical for an ECD model. Note the new default upper location now configures the actuator with the wiring portals pointing downward.

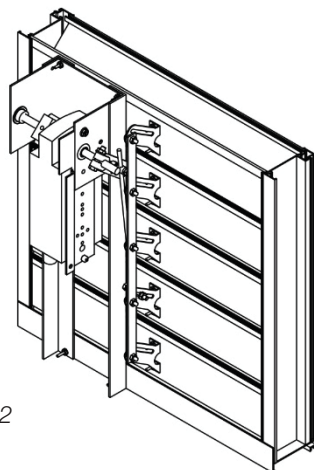


Figure 2

Figures 3 and 4 depict the current lower left actuator locations, which will still be selectable in CAPS as an option.

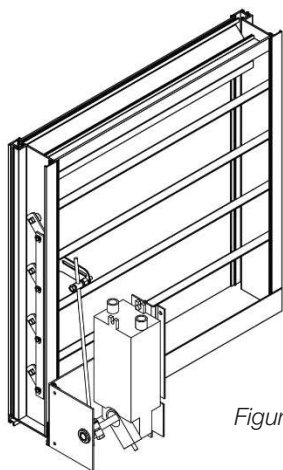


Figure 3

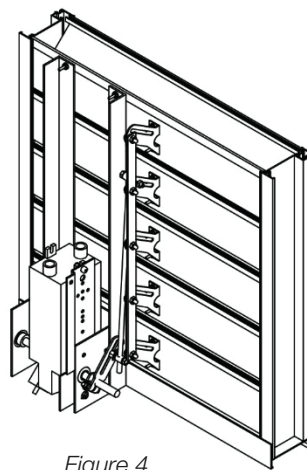


Figure 4

Should you have any questions or concerns please do not hesitate to contact the louver group at 800-373-4866 or louvers@greenheck.com.