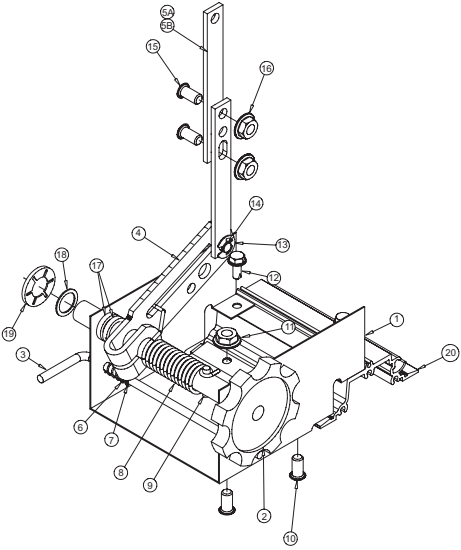
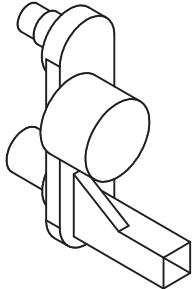
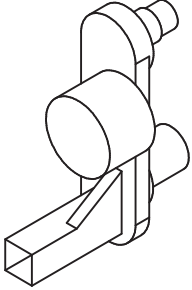


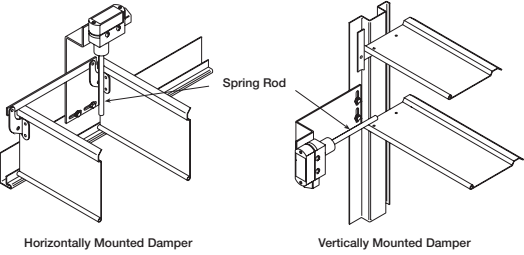
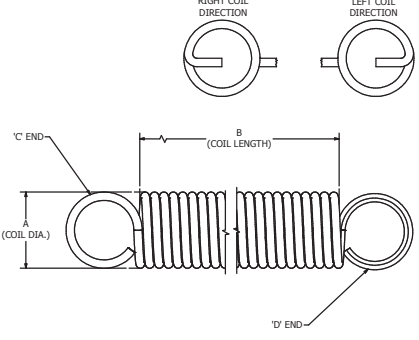
Parts for Backdraft Dampers EM, ES, WD series



BUILDING VALUE IN AIR.



Part Number	Description	Drawing
EM and ES series		
829414	APC kit for EM series (Adjustable Pressure Controller)	
482766	Left side bearing for ES series	
482765	Right side bearing for ES series	
453719	Retaining ring for bearing	Picture not available

Part Number	Description	Drawing
WD series		
851038	End switch kit	
451540	Spring for height size 12 thru 19.99 inches (WD-100 series)	
451560	Spring for height size 20 thru 35.99 inches (WD-100 series)	
451539	Spring for height size 36 inches or greater	
Motorpacks - see actuator section		