

Decoding the Curb Submittal

Actual vs. Nominal Dimensions

Actual dimension – outside dimension of the curb after it is constructed, i.e. this is the dimension read with a tape measure

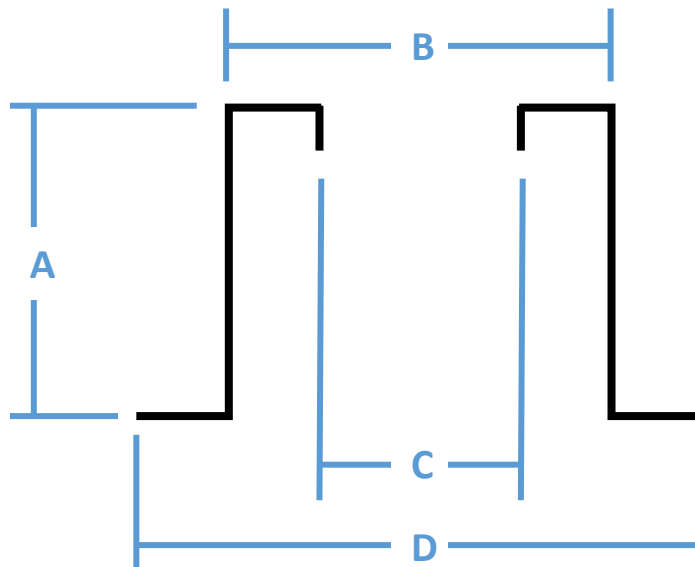
$$\text{Actual} = \text{Nominal} - \text{Undersizing}$$

Nominal dimension – typically the curb cap dimension of the fan, the curb must be slightly undersized for proper fit

How do the submittal dimensions correspond to the physical curb?

The table below is the dimensional table that prints on each curb submittal. Each column is marked with a letter that corresponds to a dimension outlined in the drawing.

Did you know? All Greenheck curb submittals call out the inside curb dimension and the flange dimension. This information can be very helpful when installing the curb, roofing material, and ductwork.



General

ID#	Tag	Qty	Model	Sizing Method	Undersizing (in.)	Weight (lb)	Shipped Assembled
1-1		1	GPI-22-G12	Nominal	1.5	19	Yes

Dimensions	A	B		C		D		Hinge Base Width*	Hinge Base Length*		
	Curb Height (in.)	Nominal Outside Width (in.)	Nominal Outside Length (in.)	Actual Outside Width (in.)	Actual Outside Length (in.)	Actual Inside Width (in.)	Actual Inside Length (in.)			Flange Width (in.)	Flange Length (in.)
ID#	12	22	22	20.5	20.5	17	17	24.5	24.5	21	21

*May not be applicable