

VEKTOR-H (1 X 1)

Job:

Contractor:

Date: 05-08-2009

ROOF CURB

Engineer:

Revision: 2

CURB MODEL: GPFHL

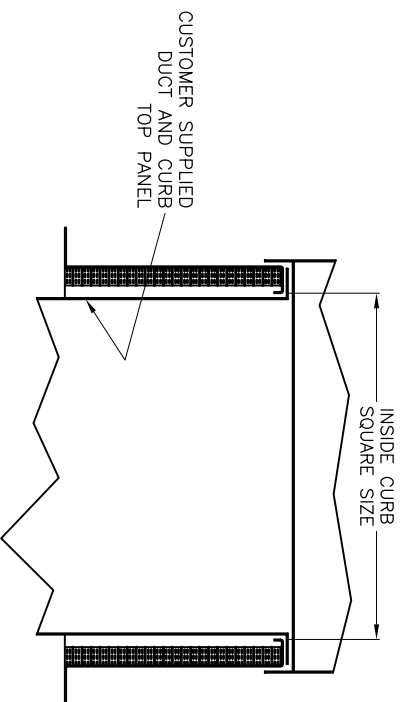
Architect:



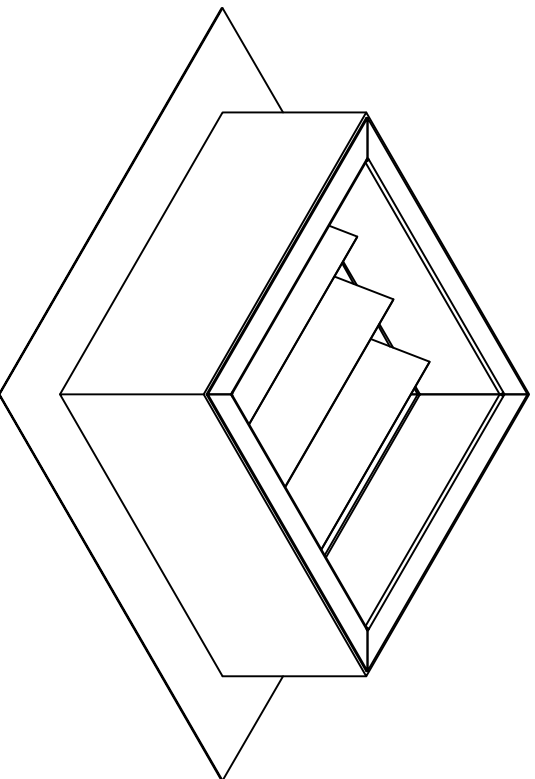
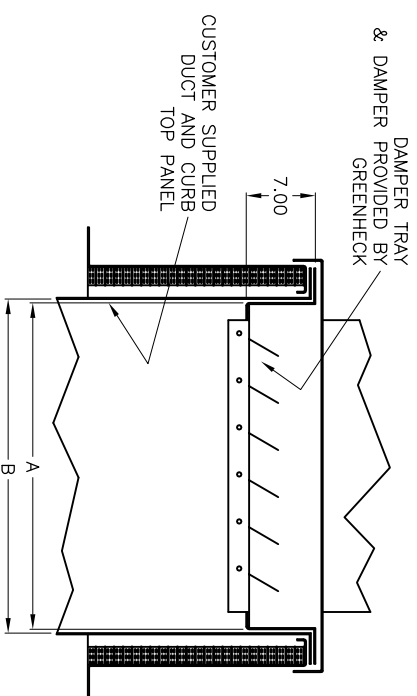
UNIT TAG:

NOTES:

VEKTOR-H with or without
bypass air plenum



VEKTOR-H without bypass air plenum
isolation damper installation



UNIT	INSIDE CURB SQUARE SIZE	DAMPER TRAY (SQ.) A	RECOMMENDED SQUARE DUCT SIZE RANGE B	DAMPER SIZE WITH BYPASS PLENUM (ACTUAL)	DAMPER SIZE WITHOUT BYPASS PLENUM (ACTUAL)
VEKTOR-H 9	17.5	15.5	16.0-17.0	15.0	12.0
VEKTOR-H 10	17.5	15.5	16.0-17.0	15.0	12.0
VEKTOR-H 12	17.5	15.5	16.0-17.0	15.0	12.0
VEKTOR-H 13	19.5	17.5	18.0-19.0	17.0	14.0
VEKTOR-H 16	23.5	21.5	22.0-23.0	21.0	18.0
VEKTOR-H 18	29.5	27.5	28.0-29.0	27.0	24.0
VEKTOR-H 22	35.5	33.5	34.0-35.0	33.0	30.0
VEKTOR-H 24	41.5	39.5	40.0-41.0	39.0	36.0
VEKTOR-H 30	47.5	45.5	46.0-47.0	45.0	42.0
VEKTOR-H 36	53.5	51.5	52.0-53.0	51.0	48.0

* ALL DIMENSIONS ARE IN INCHES.

1. CONSULT FACTORY FOR SPECIFIC DRAWING ON SPECIAL CONFIGURATIONS.
2. AS A RESULT OF OUR COMMITMENT TO CONTINUOUS IMPROVEMENT, GREENHECK RESERVES THE RIGHT TO CHANGE SPECIFICATION WITHOUT NOTICE.