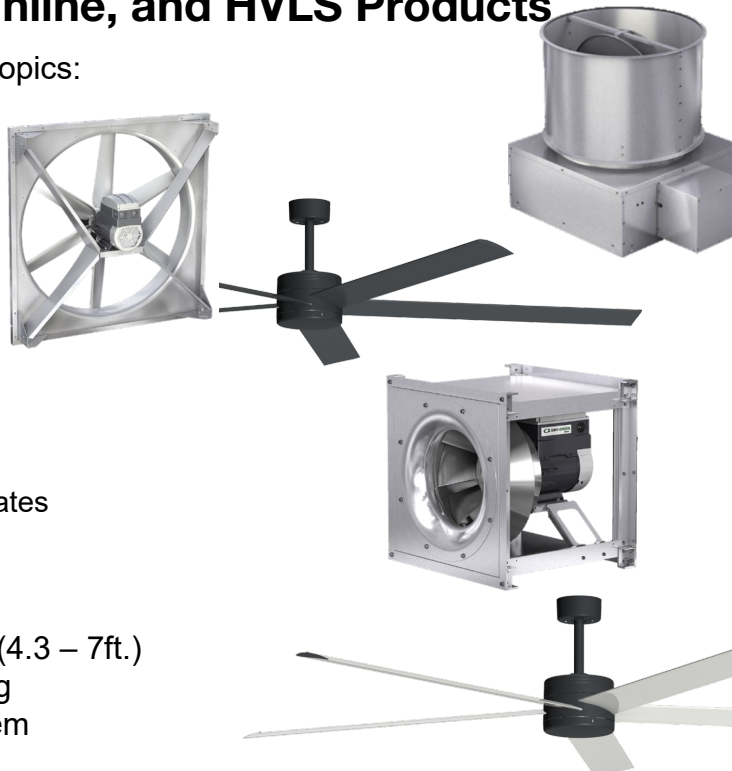


April 5, 2021

New in CAPS® 4.35 for Axial, Inline, and HVLS Products

Join us for a webinar covering the following topics:

- Axial Products
 - Vari-Green® motor expansion
 - RBUMO performance expansion
 - Product offering updates
 - Product obsolescence notices
- Inline Product Updates
 - Product obsolescence notices
 - Mixed flow SQ product updates
 - Lead time / certification updates
 - Expanded cross-model selection updates
 - CAPS layout additions
- HVLS Product Updates
 - DC-5 smaller diameter size additions (4.3 – 7ft.)
 - Factory certified service (FCS) offering
 - Airfoil kits - Moving to separate line item



Mark your calendar for the date and time that works best for you. Don't miss out!

Day	Date	Time	Meeting #
Tuesday	April 20	11:00 AM CDT	983 9517 2142 https://greenheck.zoom.us/j/98395172142
Thursday	April 22	1:00 PM CDT	959 4498 1735 https://greenheck.zoom.us/j/95944981735

It's simple to participate

- Select the date and time of the webinar that you would like to attend
- Log on by clicking on the desired day/time link above
- To participate in the telephone conference for the webinar, phone numbers are provided within the Zoom meeting invitation.

You may log on up to 5 minutes before the start of the webinar.

If you have any problems logging on or if you have suggestions for future topics, please contact the following individuals:

- Axial Products → Nathan Hintz at nathan.hintz@greenheck.com
- Inline Products → Ryan Brooks at ryan.brooks@greenheck.com
- HVLS Products → Andy Dunst at andy.dunst@greenheck.com